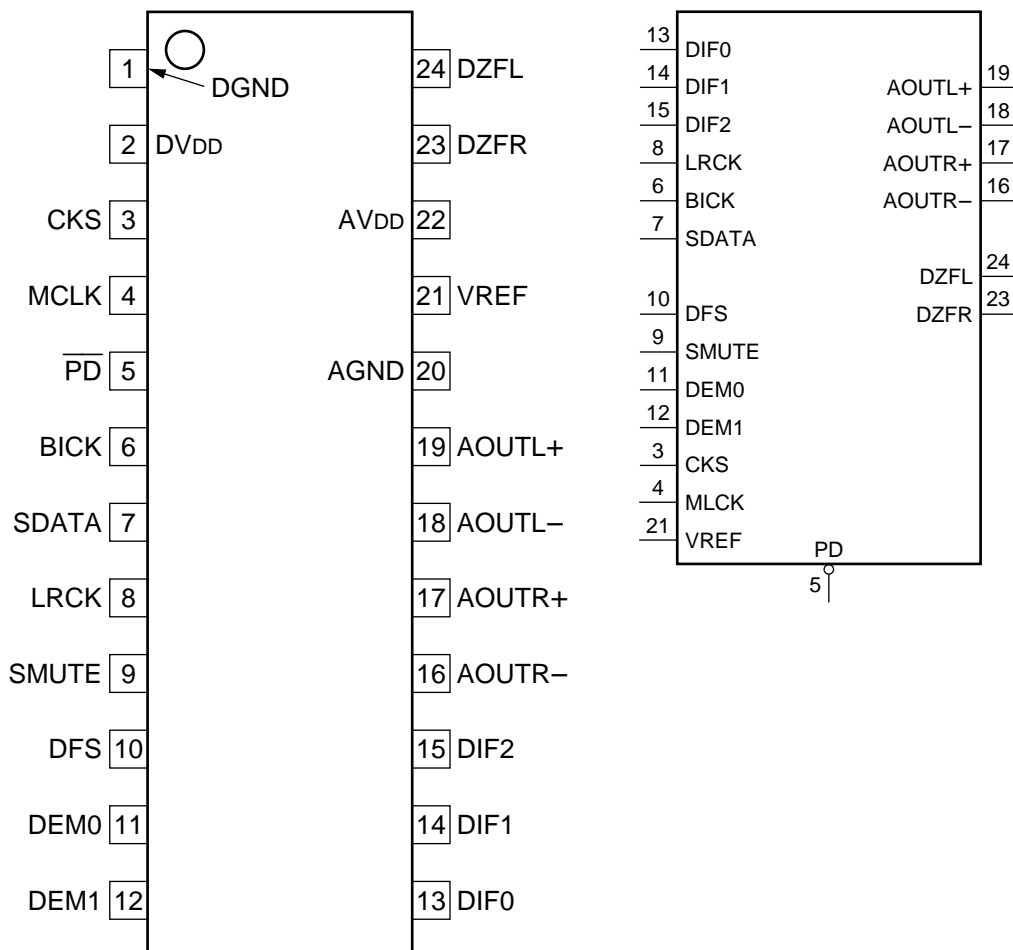


C-MOS 98 kHz SAMPLING 24-BIT $\Delta\Sigma$ D/A CONVERTER

—TOP VIEW—

**INPUT**

BICK	: AUDIO SERIAL DATA CLOCK
CKS	: MASTER CLOCK SELECT
DEM0, DEM1	: DE-EMPHASIS FREQUENCY SELECT
DFS	: DOUBLE SPEED SAMPLING MODE
DIF0 - DIF2	: DIGITAL INPUT FORMAT
LRCK	: L/R CLOCK
MCLK	: MASTER CLOCK
PD	: POWER DOWN MODE
SDATA	: AUDIO SERIAL DATA
SMUTE	: SOFT MUTE
VREF	: VOLTAGE REFERENCE

OUTPUT

AOUTL-	: L CHANNEL NEGATIVE ANALOG SIGNAL
AOUTL+	: L CHANNEL POSITIVE ANALOG SIGNAL
AOUTR-	: R CHANNEL NEGATIVE ANALOG SIGNAL
AOUTR+	: R CHANNEL POSITIVE ANALOG SIGNAL
DZFL	: L CHANNEL ZERO INPUT DETECT
DZFR	: R CHANNEL ZERO INPUT DETECT

